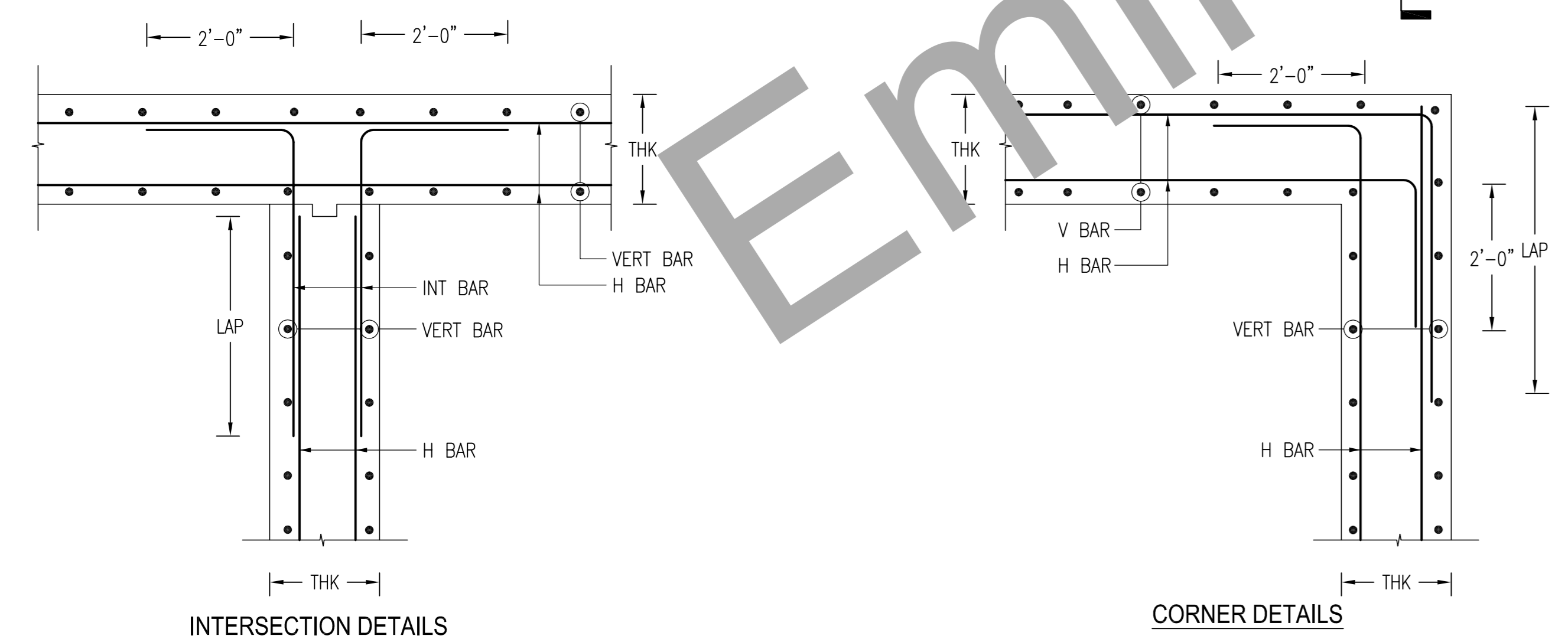
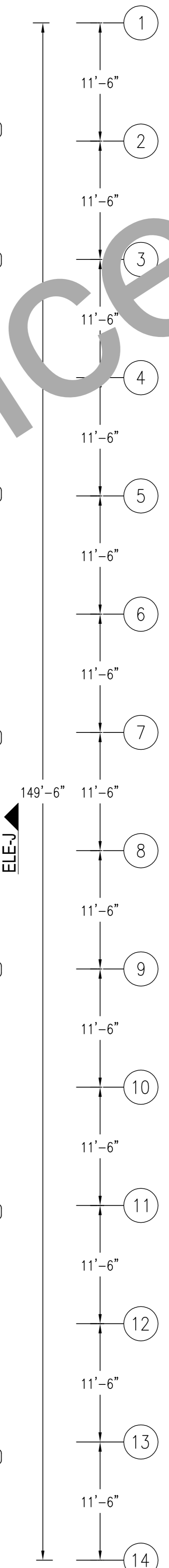
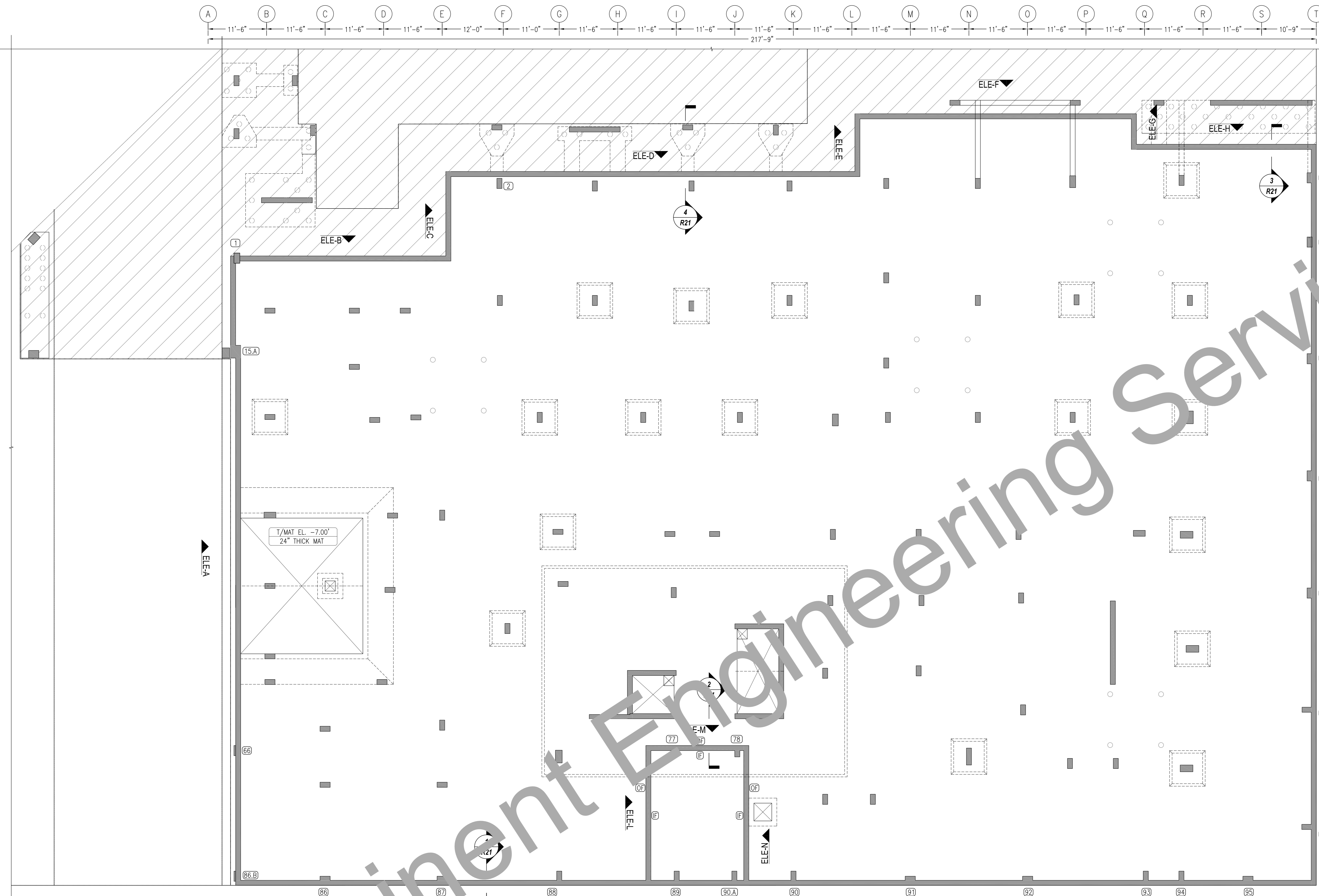


REINFORCING STEEL PLACING DRAWING ONLY. USE IN CONJUNCTION WITH CONTRACT DRAWINGS & SPECIFICATIONS. ELEVATIONS & DIMENSIONS SHOWN ON DRAWING ARE FOR DETAILING PURPOSES ONLY AND SHOULD NOT BE USED FOR CONSTRUCTION UNLESS VERIFIED BY ENGINEER OR CONTRACTOR.

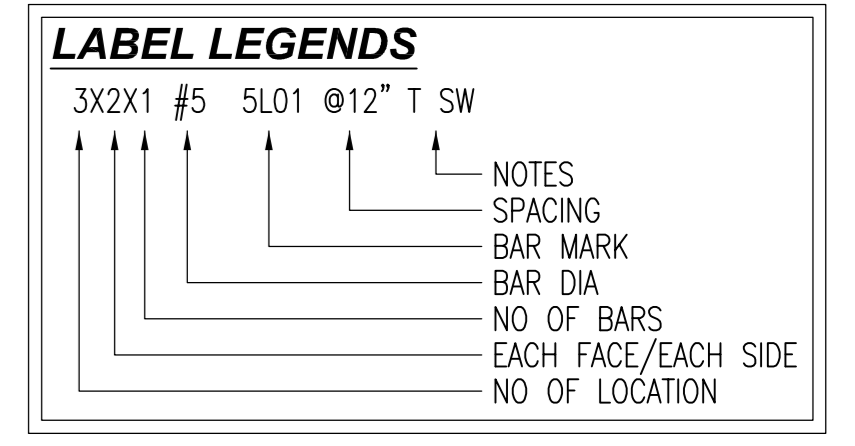


TYPICAL CONCRETE WALL CORNER & INTERSECTION REINF. DETAILS
 1/2"=1'-0"
 SDR: 3/FO-201.00

FOUNDATION WALL KEYPLAN
 SCALE: 1/10"=1'-0"
 SDR: FO-002.00, FO-101.00, FO-203.00 & FO-204.00

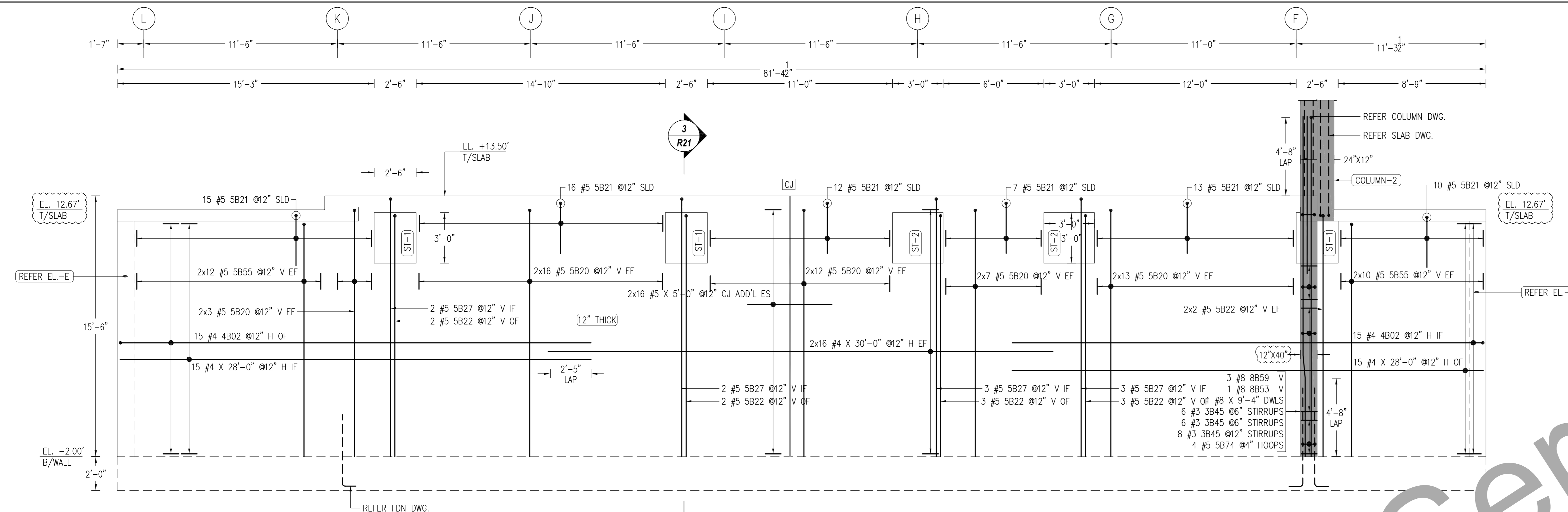
FOR APPROVAL

- NOTES:**
1. TOP OF WALL EL. REFER ELEVATION
 2. BOTTOM OF WALL EL. REFER ELEVATION
 3. TOP OF SLAB EL. REFER ELEVATION
 4. COVER DETAILS:
 FOR WALL : IF = 1 1/2", OF = 2"
 FOR COLUMN : TIES = 1 1/2"
 4. STOCK LENGTH USED IS 30'-0"



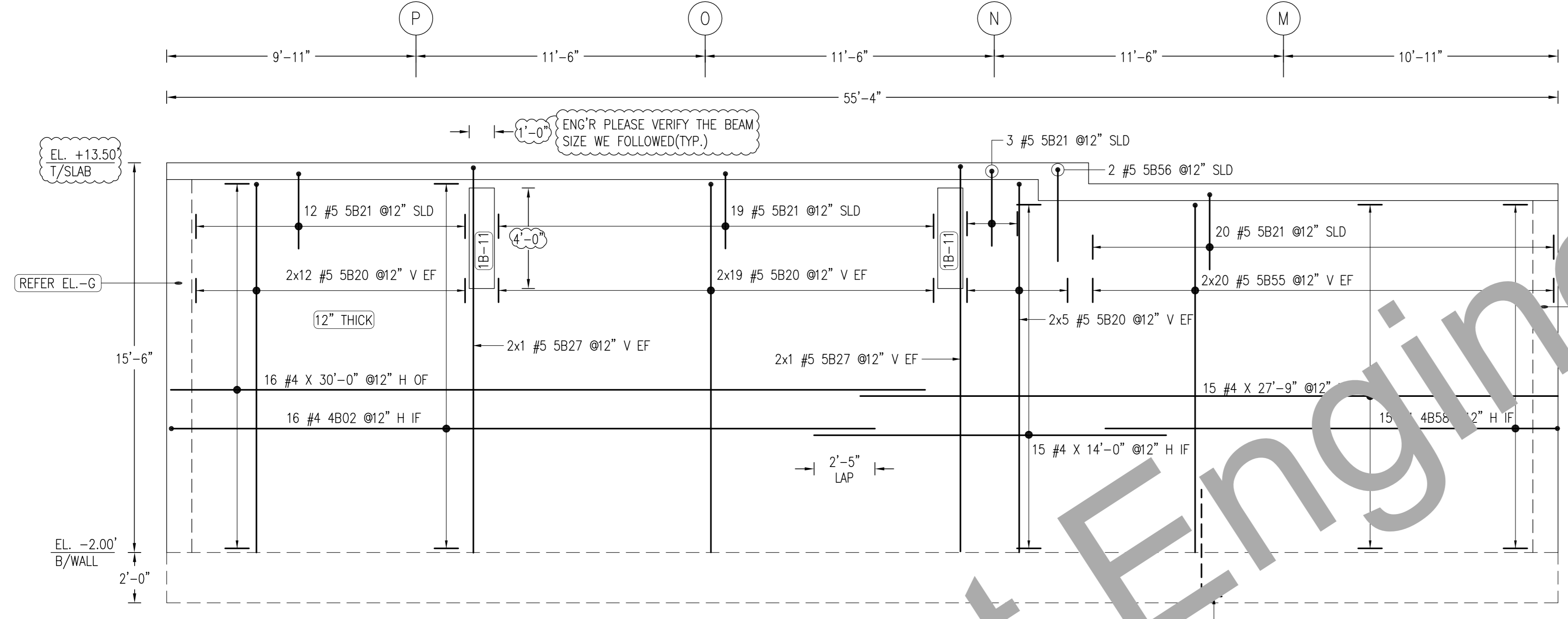
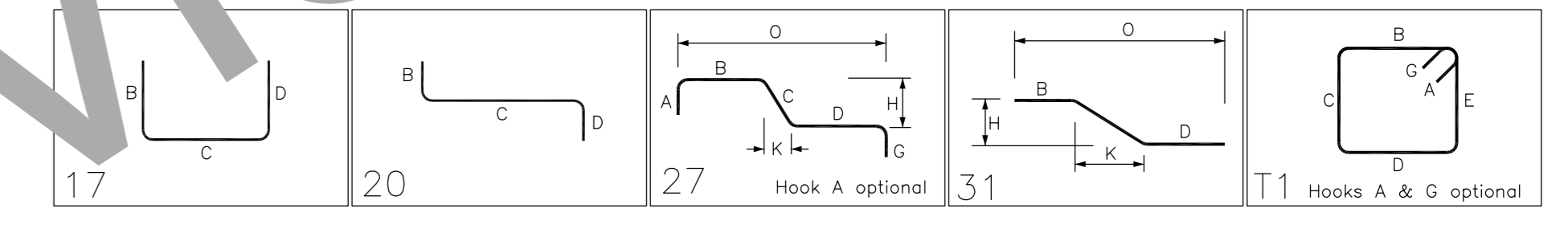
- REFERENCE DRAWINGS**
- FOR REBAR DETAIL OF FOUNDATION WALL (ELA-C) REFER DRAWING #R16
 - FOR REBAR DETAIL OF FOUNDATION WALL (ELD-H) REFER DRAWING #R17
 - FOR REBAR DETAIL OF FOUNDATION WALL (ELJ) REFER DRAWING #R18
 - FOR REBAR DETAIL OF FOUNDATION WALL (ELK) REFER DRAWING #R19
 - FOR REBAR DETAIL OF FOUNDATION WALL (ELL-N) REFER DRAWING #R20
 - FOR DETAIL OF FOUNDATION WALL SECTIONS REFER DRAWING #R21

REINFORCING STEEL PLACING DRAWING ONLY. USE IN CONJUNCTION WITH CONTRACT DRAWINGS & SPECIFICATIONS. ELEVATIONS & DIMENSIONS SHOWN ON DRAWING ARE FOR DETAILING PURPOSES ONLY AND SHOULD NOT BE USED FOR CONSTRUCTION UNLESS VERIFIED BY ENGINEER OR CONTRACTOR.

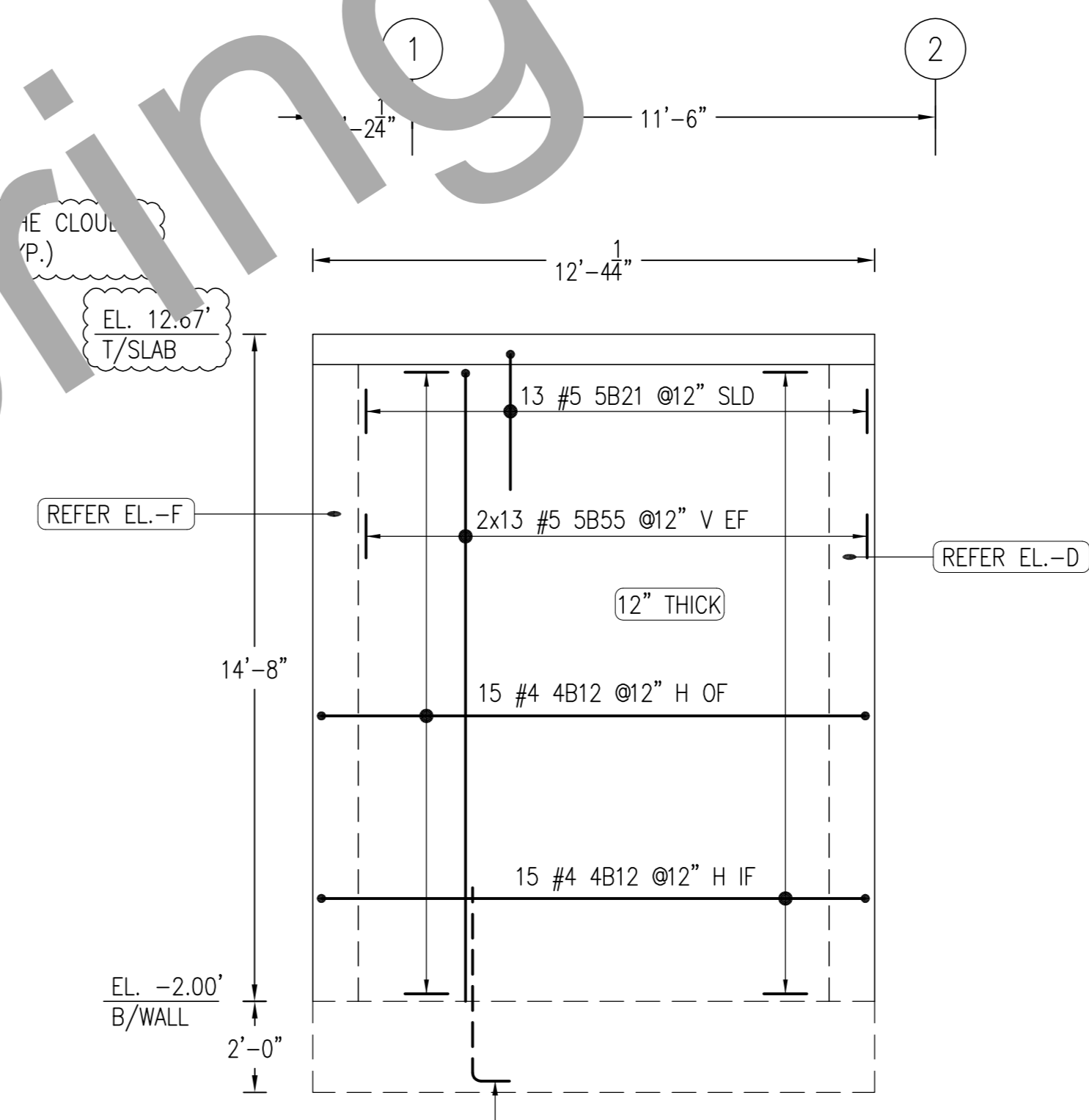


ELEVATION - D
SCALE: 1/4=1'-0"
SDR: FO-002.00 TO FO-204.00 & S-101.00

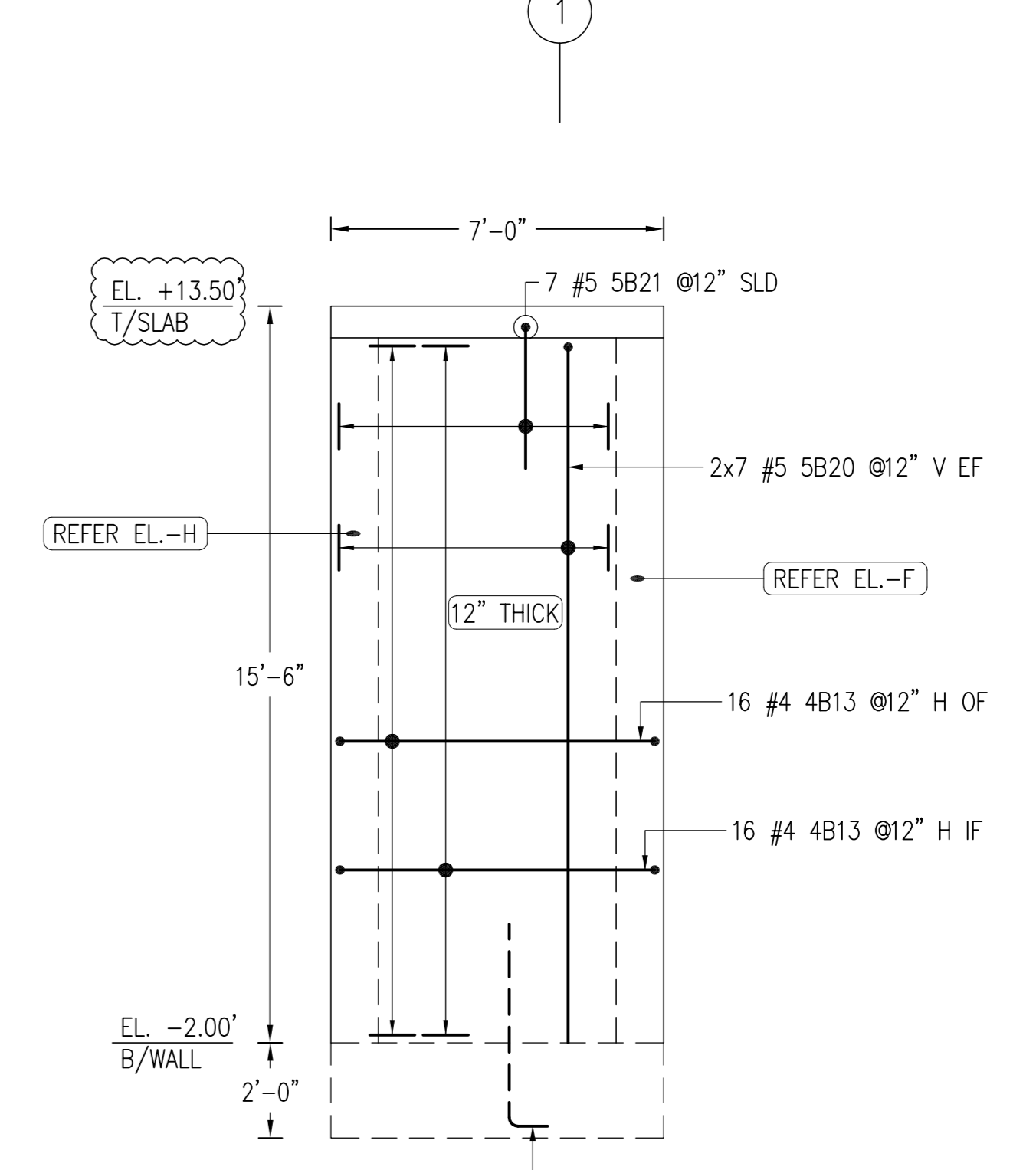
Bar Mark	Qty	Size	Total Length	Spac	X	Y	Y	Y	Y	Y	Y	Y	Y	Y	Y	Y	
4B02	62	#4	30'-0"	17													
4B12	30	#4	16'-5"	20													
4B58	15	#4	20'-0"	17													
4B13	32	#4	11'-1"	20													
4B15	16	#4	12'-11"	17													
4B14	16	#4	12'-4"	17													
5B20	262	#5	15'-3"	17													
5B22	14	#5	16'-4"	17													
5B55	110	#5	14'-5"	17													
5B27	14	#5	12'-5"	16													
5B21	184	#5	11'-11"	17													
5B3	2	#5	20'-2 1/2"	31													
5B56	2	#5	6'-2"	17													
8B5	3	#8	21'-6 1/2"	23													
3B45	20	#3	8'-3 1/2"	17													
5B74	4	#5	14'-2 1/2"	17													



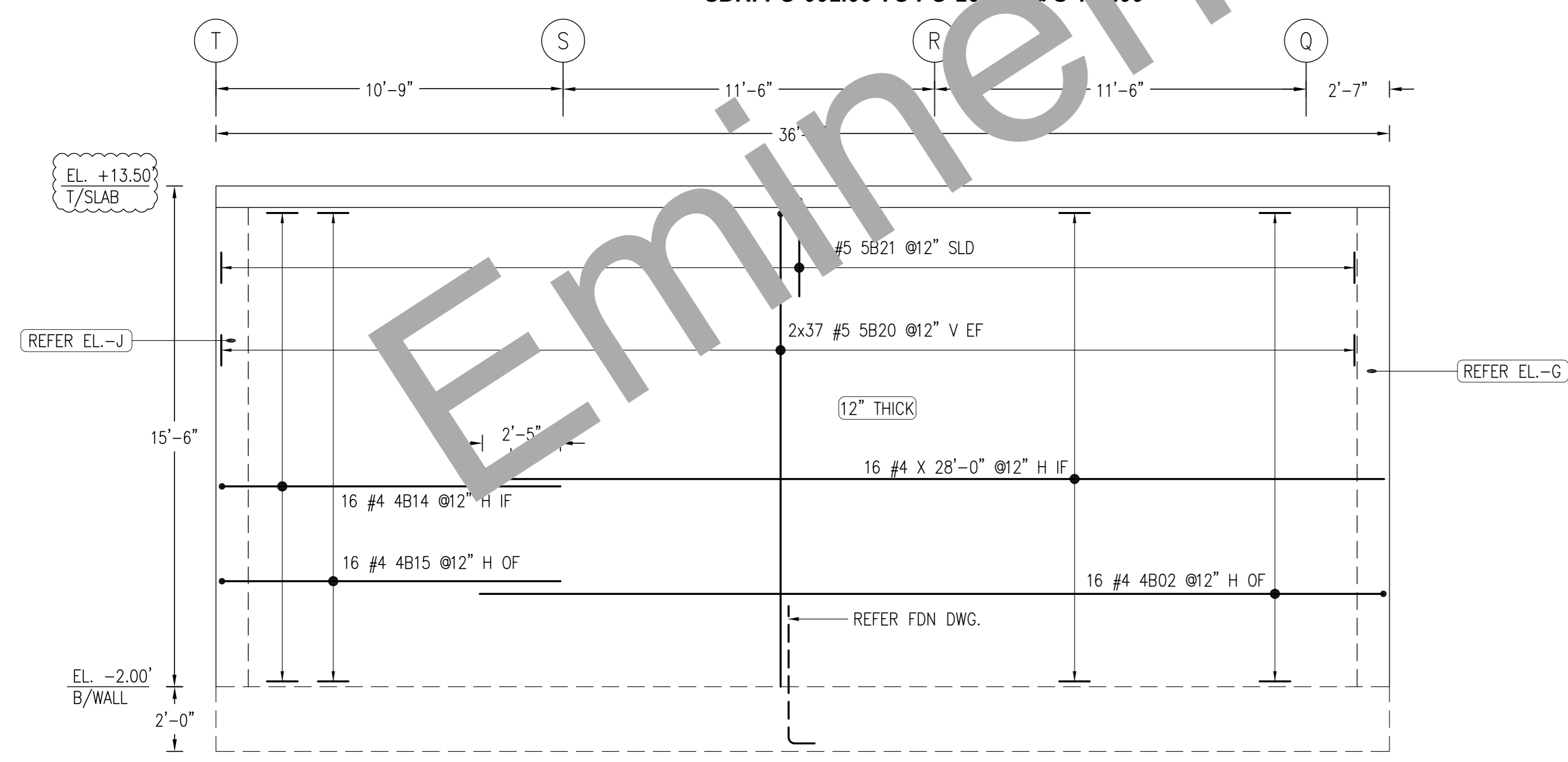
ELEVATION - F
SCALE: 1/4=1'-0"
SDR: FO-002.00 TO FO-204.00 & S-101.00



ELEVATION - E
SCALE: 1/4=1'-0"
SDR: FO-002.00 TO FO-204.00 & S-101.00



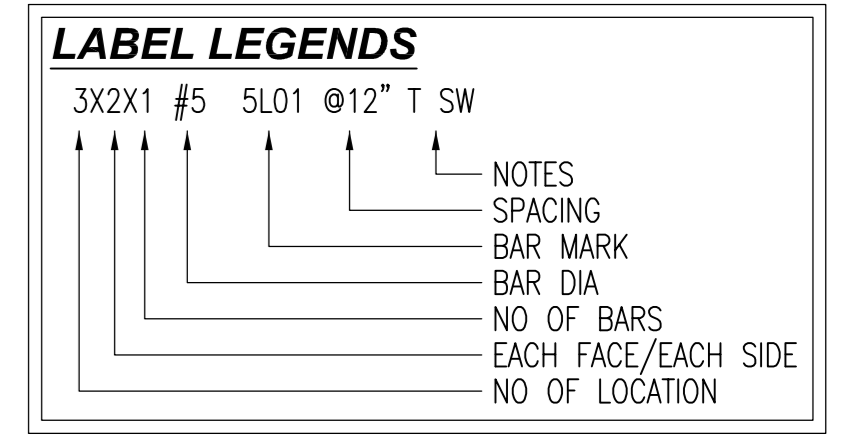
ELEVATION - G
SCALE: 1/4=1'-0"
SDR: FO-002.00 TO FO-204.00 & S-101.00



ELEVATION - H
SCALE: 1/4=1'-0"
SDR: FO-002.00 TO FO-204.00 & S-101.00

FOR APPROVAL

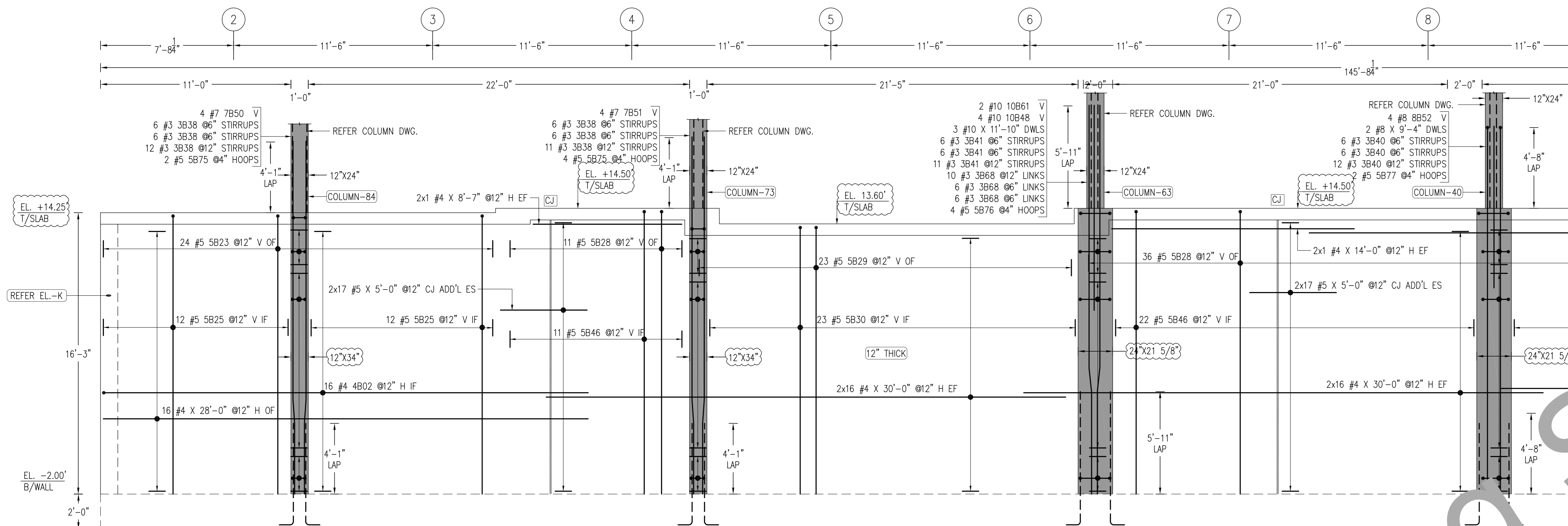
- NOTES:**
- TOP OF WALL EL. REFER ELEVATION
 - BOTTOM OF WALL EL. REFER ELEVATION
 - TOP OF SLAB EL. REFER ELEVATION
 - COVER DETAILS:
FOR WALL : IF = 1 1/2", OF = 2"
FOR COLUMN : TIES = 1 1/2"
 - STOCK LENGTH USED IS 30'-0"



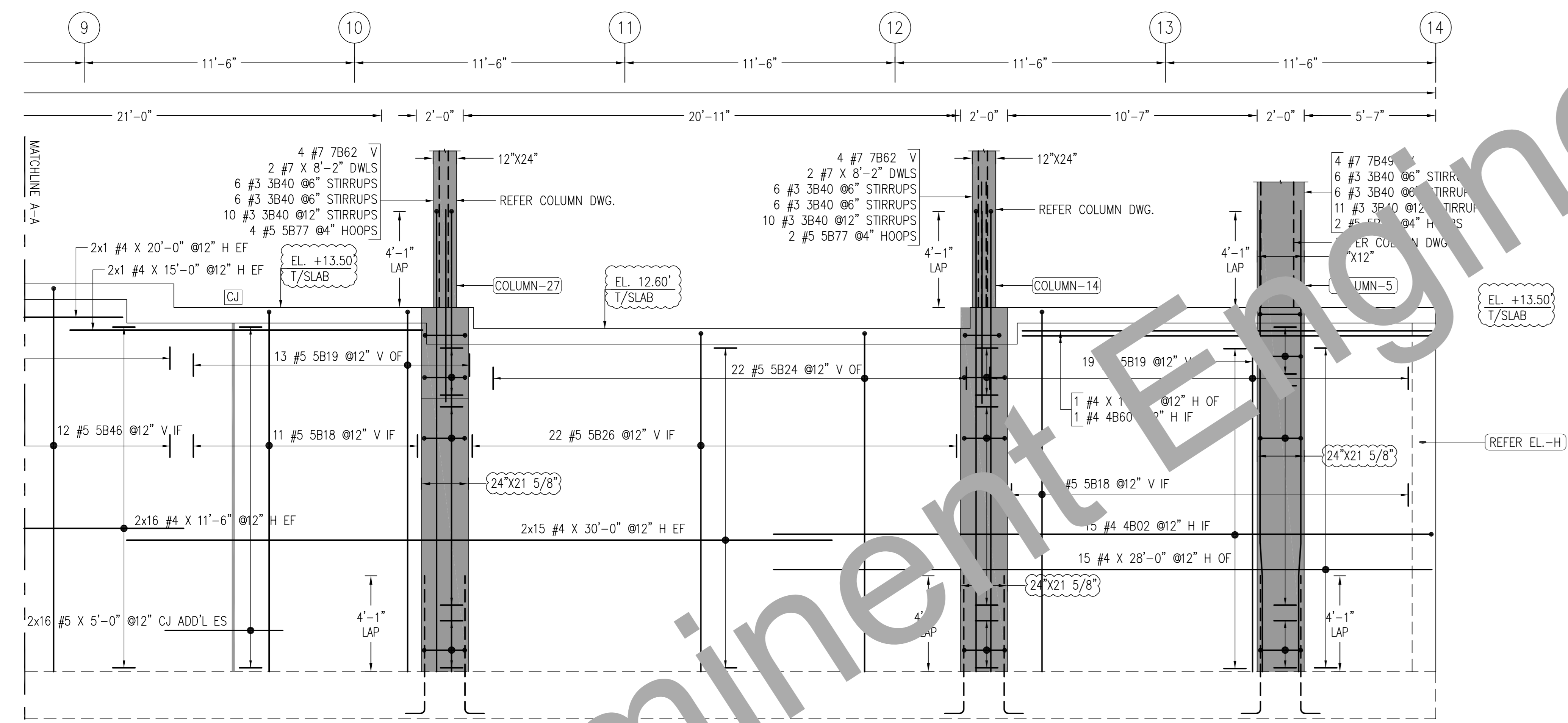
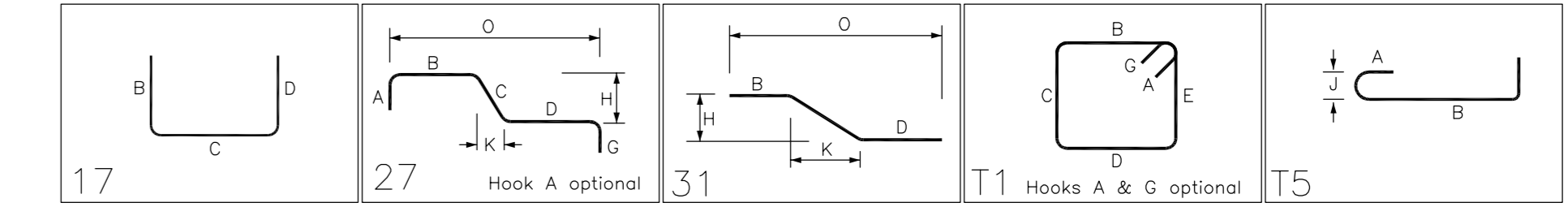
REFERENCE DRAWINGS

FOR DETAIL OF FOUNDATION WALL KEYPLAN REFER DRAWING #R15
 FOR REBAR DETAIL OF FOUNDATION WALL (EL-A-C) REFER DRAWING #R16
 FOR REBAR DETAIL OF FOUNDATION WALL (EL-J) REFER DRAWING #R18
 FOR REBAR DETAIL OF FOUNDATION WALL (EL-K) REFER DRAWING #R19
 FOR REBAR DETAIL OF FOUNDATION WALL (EL-L-N) REFER DRAWING #R20
 FOR DETAIL OF FOUNDATION WALL SECTIONS REFER DRAWING #R21

REINFORCING STEEL PLACING DRAWING ONLY. USE IN CONJUNCTION WITH CONTRACT DRAWINGS & SPECIFICATIONS. ELEVATIONS & DIMENSIONS SHOWN ON DRAWING ARE FOR DETAILING PURPOSES ONLY AND SHOULD NOT BE USED FOR CONSTRUCTION UNLESS VERIFIED BY ENGINEER OR CONTRACTOR.

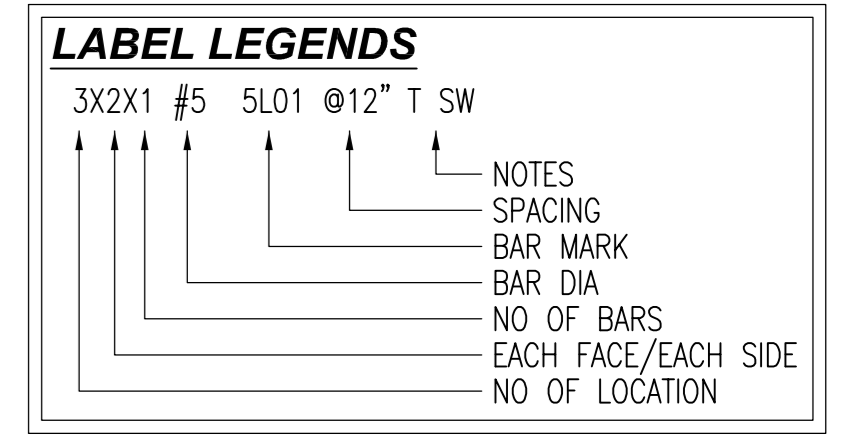


Bar Mark	Qty	Size	Total Length	X	Y	Z	W	V	U	T	S	R	Q	P	O	N	M	L	K	J	I	H	G	F	E	D	C	B	A
4802	31	#4	37'-0"																										
5823	24	#5	17'-0"																										
5825	24	#5	17'-0"																										
5828	47	#5	17'-0"																										
5829	23	#5	15'-0"																										
5824	37	#5	17'-0"																										
5846	22	#5	16'-11"																										
5830	23	#4	16'-0"																										
5818	29	#5	15'-11"																										
5826	22	#5	15'-0"																										
1082	4	#8	22'-8 1/2"																										
10848	4	#10	22'-5 1/2"																										
7850	4	#7	20'-4 1/2"																										
7851	4	#7	20'-1 1/2"																										
7849	4	#7	19'-7 1/2"																										
7882	8	#7	20'-9 1/2"																										
4880	1	#4	19'-5 1/2"																										
10881	2	#10	24'-3 1/2"																										
3838	47	#3	7'-2"																										
3841	23	#3	7'-1 1/2"																										
3840	91	#3	7'-2"																										
3888	22	#3	2'-3 1/2"																										
5877	10	#5	7'-5"																										
5876	4	#5	7'-4 1/2"																										
5875	6	#5	7'-5 1/2"																										



FOR APPROVAL

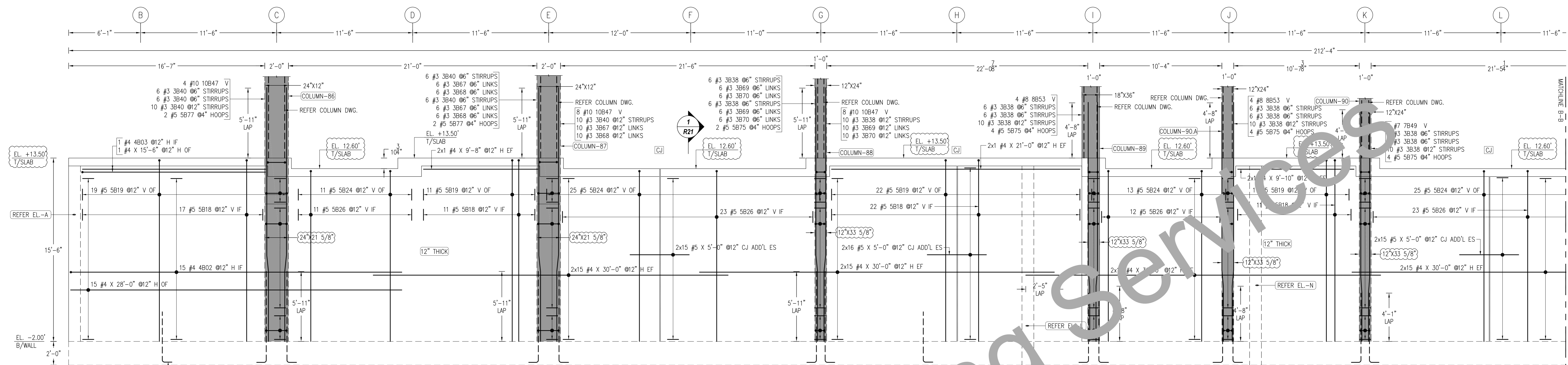
- NOTES:**
1. TOP OF WALL EL. REFER ELEVATION
 2. BOTTOM OF WALL EL. REFER ELEVATION
 3. TOP OF SLAB EL. REFER ELEVATION
 4. COVER DETAILS:
 FOR WALL : IF = 1 1/2", OF = 2"
 FOR COLUMN : TIES = 1 1/2"
 4. STOCK LENGTH USED IS 30'-0"



REFERENCE DRAWINGS

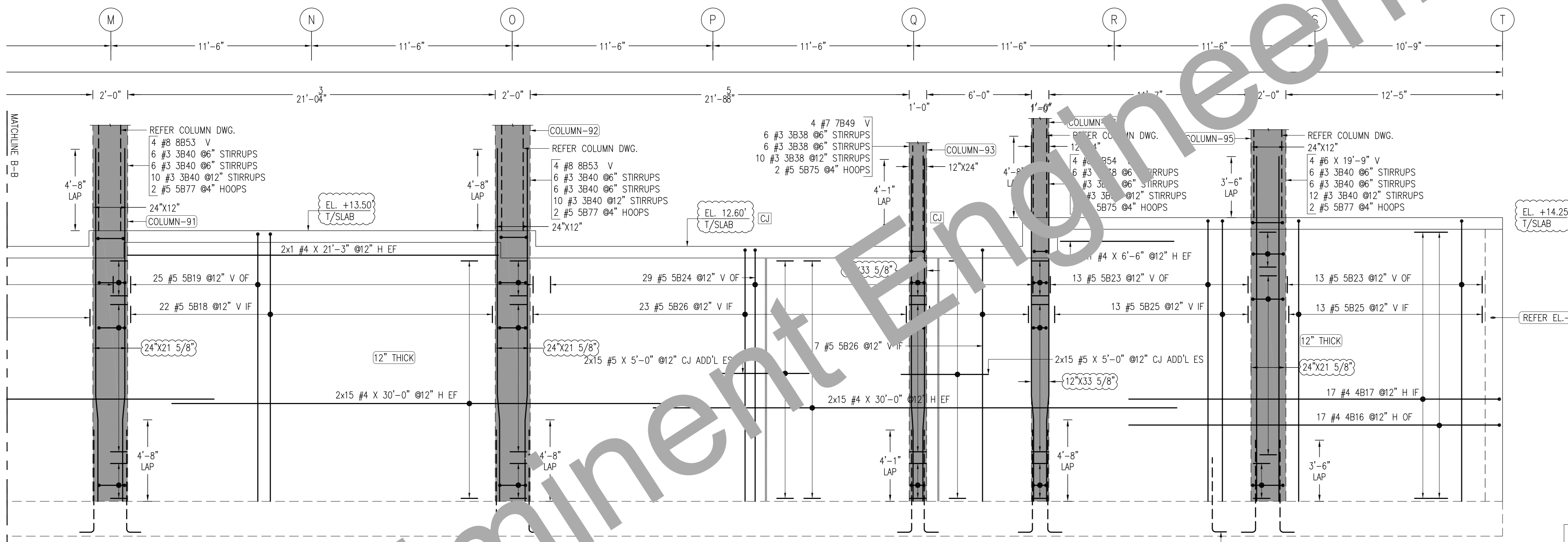
FOR DETAIL OF FOUNDATION WALL KEYPLAN REFER DRAWING #R15
 FOR REBAR DETAIL OF FOUNDATION WALL (ELA-C) REFER DRAWING #R16
 FOR REBAR DETAIL OF FOUNDATION WALL (ELD-H) REFER DRAWING #R17
 FOR REBAR DETAIL OF FOUNDATION WALL (ELK) REFER DRAWING #R19
 FOR REBAR DETAIL OF FOUNDATION WALL (ELL-N) REFER DRAWING #R20
 FOR DETAIL OF FOUNDATION WALL SECTIONS REFER DRAWING #R21

REINFORCING STEEL PLACING DRAWING ONLY. USE IN CONJUNCTION WITH CONTRACT DRAWINGS & SPECIFICATIONS. ELEVATIONS & DIMENSIONS SHOWN ON DRAWING ARE FOR DETAILING PURPOSES ONLY AND SHOULD NOT BE USED FOR CONSTRUCTION UNLESS VERIFIED BY ENGINEER OR CONTRACTOR.



ELEVATION - K

SCALE: 1/4"=1'-0"
SDR: FO-002.00 TO FO-204.00 & S-101.00

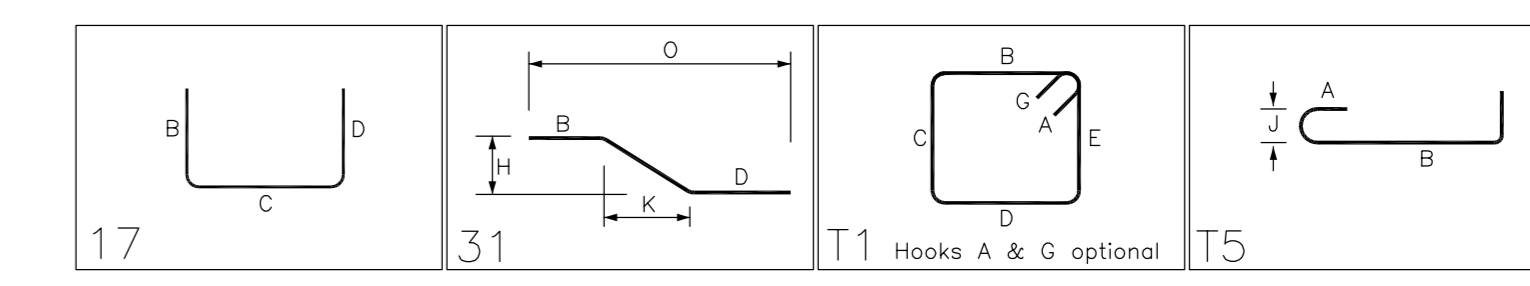


ELEVATION - K (CONT)

SCALE: 1/4"=1'-0"
SDR: FO-002.00 TO FO-204.00 & S-101.00

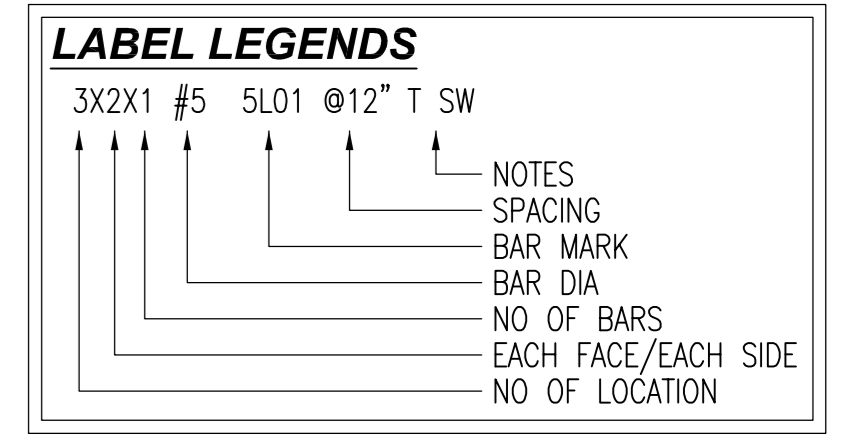
Release Number: R19

Bar Mark	Qty	Size	Total Length	Top	X	Y	Z	Bar List
4802	15	#4	30'-0"	17				
4816	17	#4	25'-8"	17				
4817	17	#4	25'-3"	17				
5819	88	#5	18'-4"	17				
5818	83	#5	15'-11"	17				
5823	26	#5	19'-1"	17				
5824	103	#5	17'-5"	17				
5825	26	#5	16'-8"	17				
5826	99	#5	15'-0"	17				
10847	20	#10	21'-5 1/2"	31				0'-3"
7849	8	#7	19'-2 1/2"	31				1'-4 1/2"
8853	16	#8	20'-2 1/2"	31				0'-2 1/2"
8854	4	#8	20'-11 1/2"	31				1'-4 1/2"
3840	112	#3	7'-2"	11				0'-4"
3867	22	#3	7'-4"	15				0'-4"
3868	22	#3	7'-3"	15				0'-4"
3868	128	#3	7'-2"	11				0'-4"
3869	22	#3	5'-3"	15				0'-4"
3870	22	#3	1'-4"	15				0'-4"
5877	10	#5	7'-5"	11				0'-5 1/2"
5875	20	#5	7'-5"	11				0'-5 1/2"
4803	1	#4	17'-8"	17				15'-6"



FOR APPROVAL

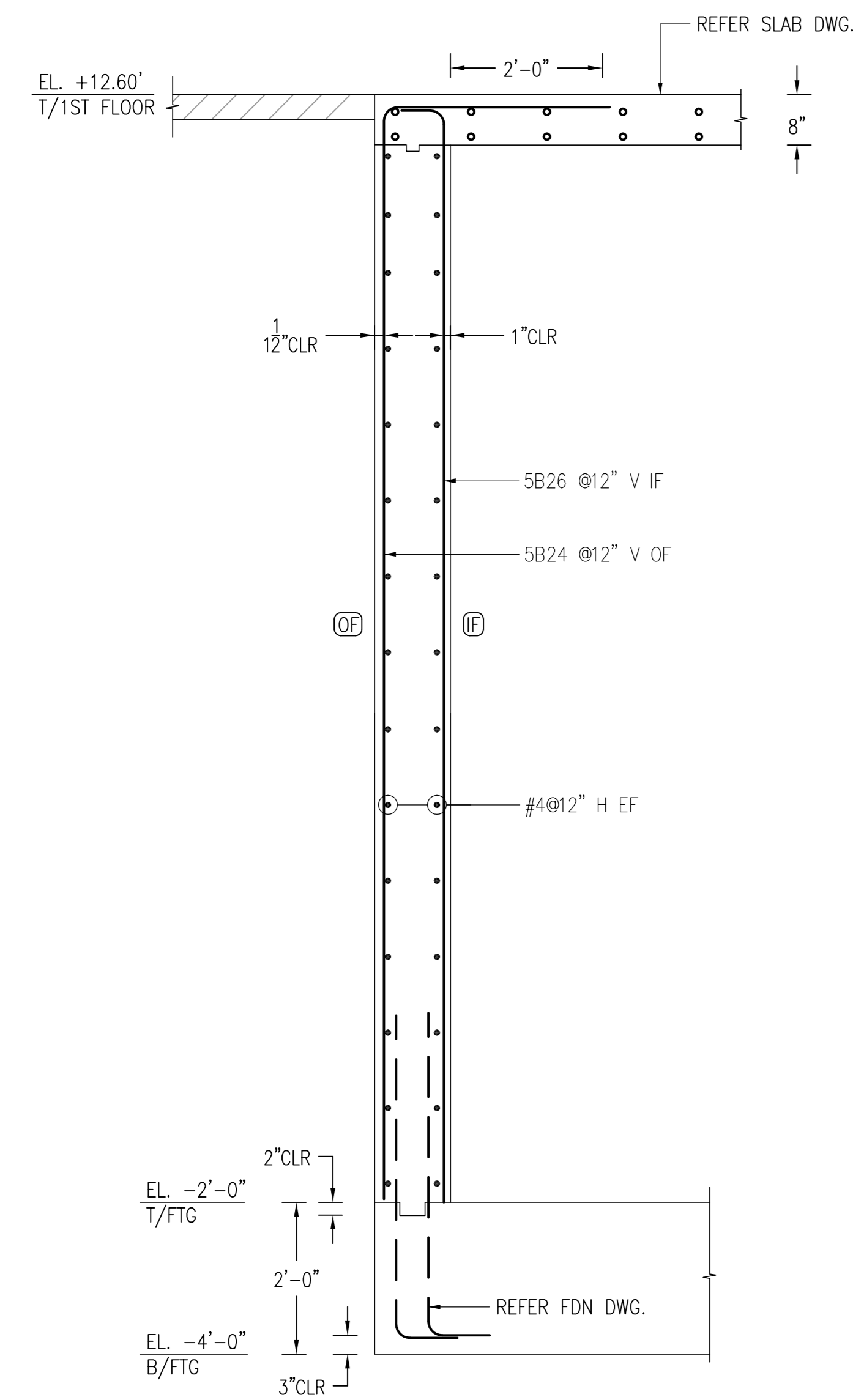
- NOTES:**
- TOP OF WALL EL. REFER ELEVATION
 - BOTTOM OF WALL EL. REFER ELEVATION
 - TOP OF SLAB EL. REFER ELEVATION
 - COVER DETAILS:
FOR WALL: IF = 1 1/2", OF = 2"
FOR COLUMN: TIES = 1 1/2"
 - STOCK LENGTH USED IS 30'-0"



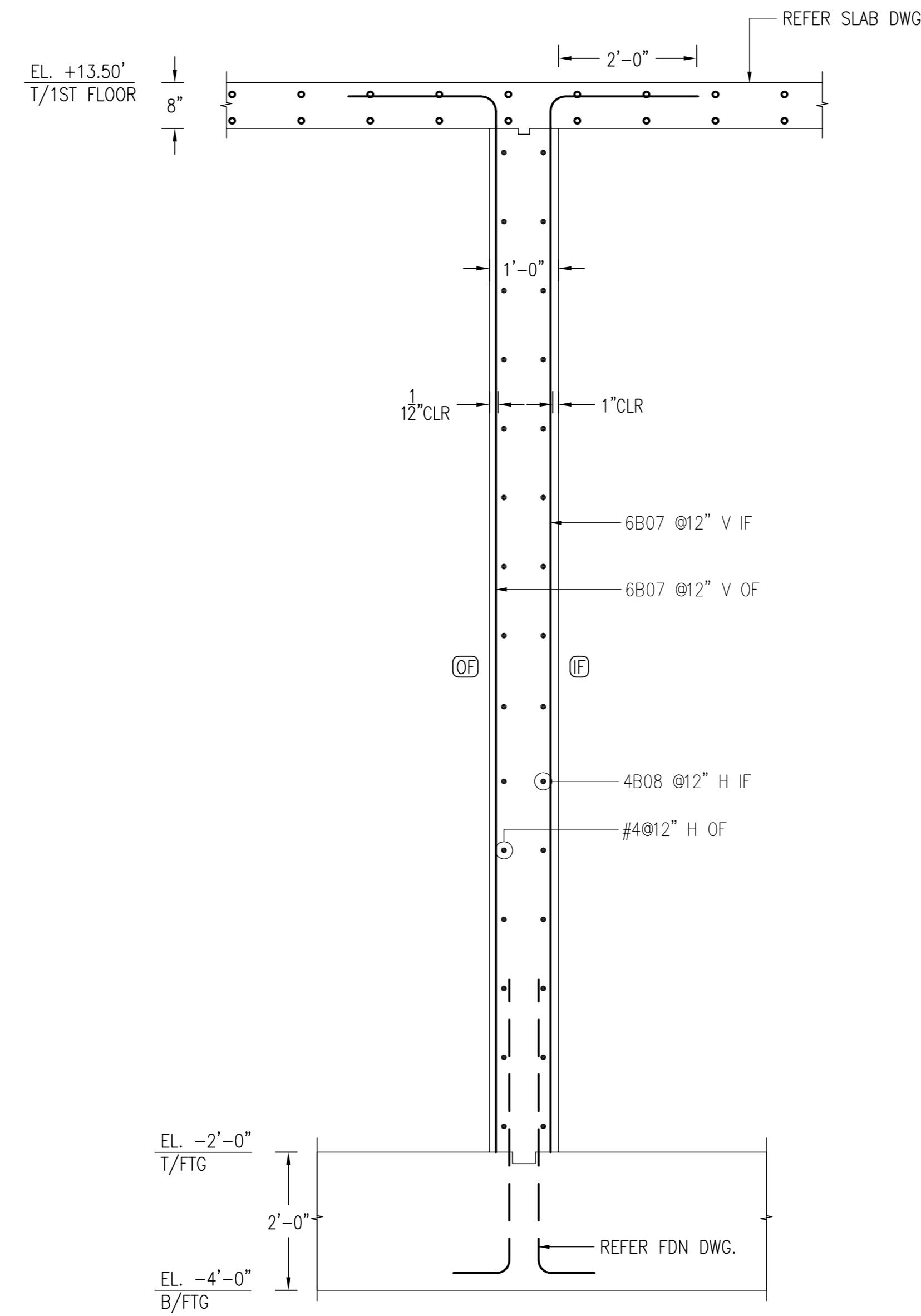
REFERENCE DRAWINGS

FOR DETAIL OF FOUNDATION WALL KEYPLAN REFER DRAWING #R15
 FOR REBAR DETAIL OF FOUNDATION WALL (EL. A-C) REFER DRAWING #R16
 FOR REBAR DETAIL OF FOUNDATION WALL (EL. D-H) REFER DRAWING #R17
 FOR REBAR DETAIL OF FOUNDATION WALL (EL. I) REFER DRAWING #R18
 FOR REBAR DETAIL OF FOUNDATION WALL (EL. L-N) REFER DRAWING #R20
 FOR DETAIL OF FOUNDATION WALL SECTIONS REFER DRAWING #R21

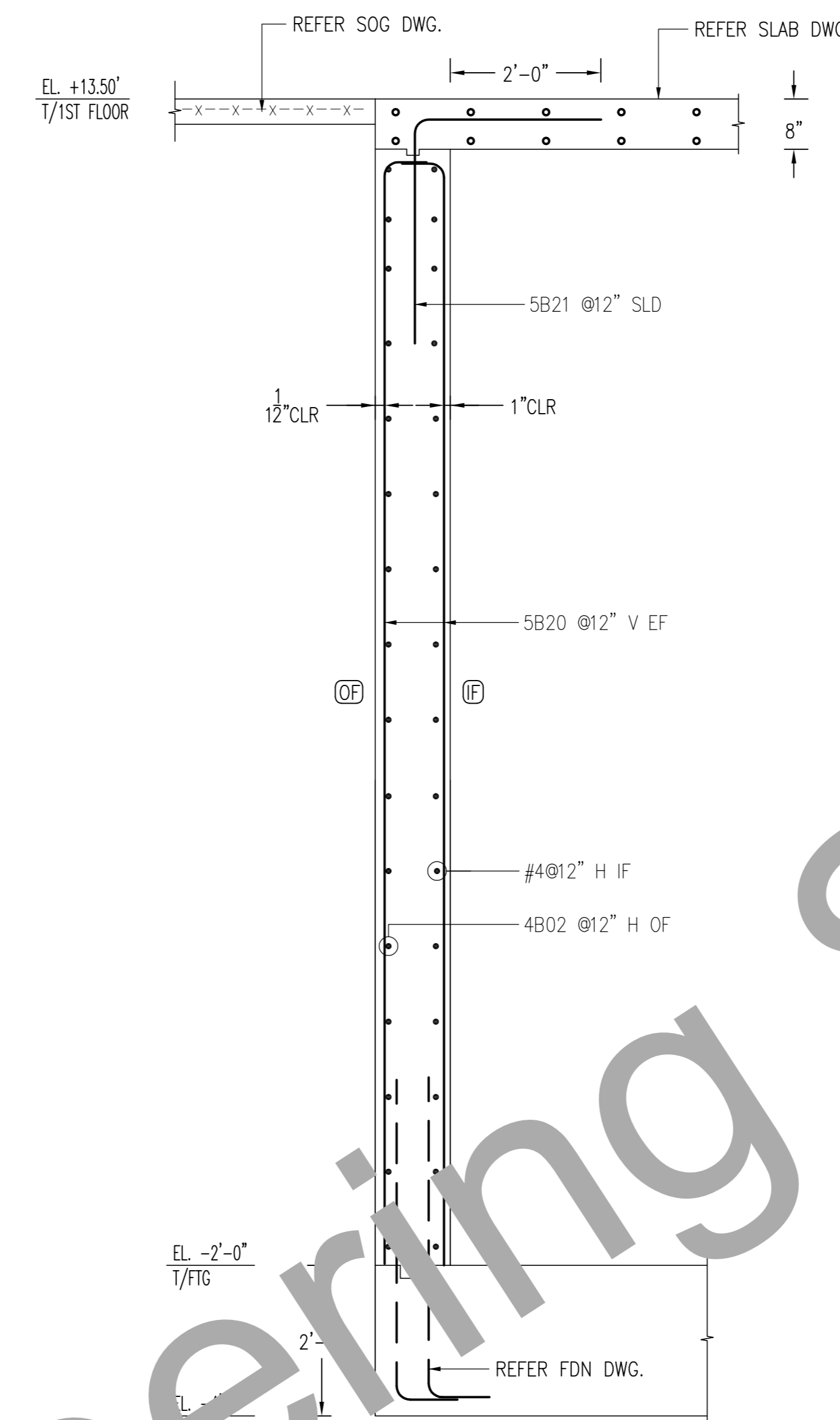
REINFORCING STEEL PLACING DRAWING ONLY. USE IN CONJUNCTION WITH CONTRACT DRAWINGS & SPECIFICATIONS. ELEVATIONS & DIMENSIONS SHOWN ON DRAWING ARE FOR DETAILING PURPOSES ONLY AND SHOULD NOT BE USED FOR CONSTRUCTION UNLESS VERIFIED BY ENGINEER OR CONTRACTOR.



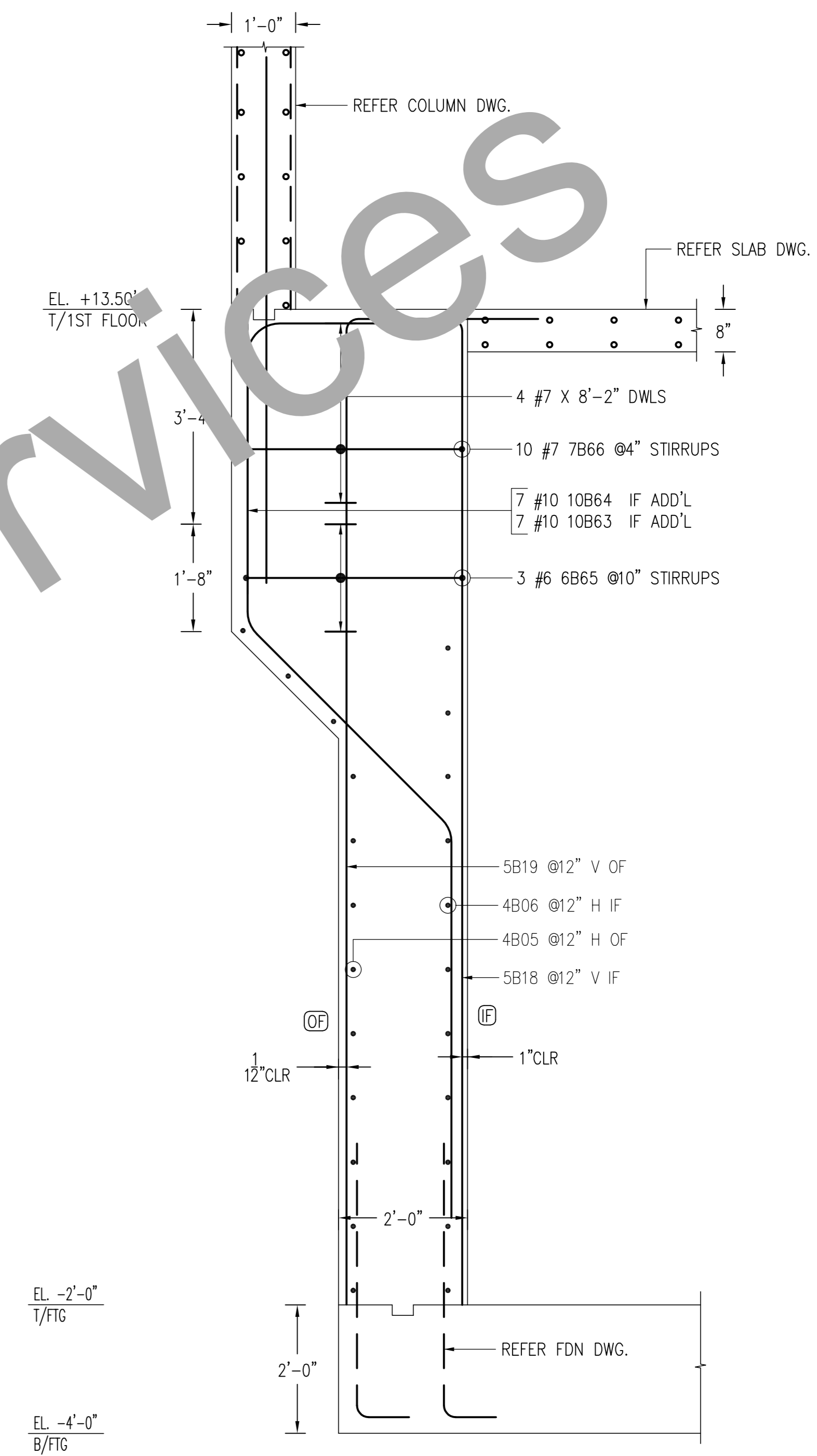
1 SECTION
1/2"=1'-0"
SDR: 1/FO-203.00



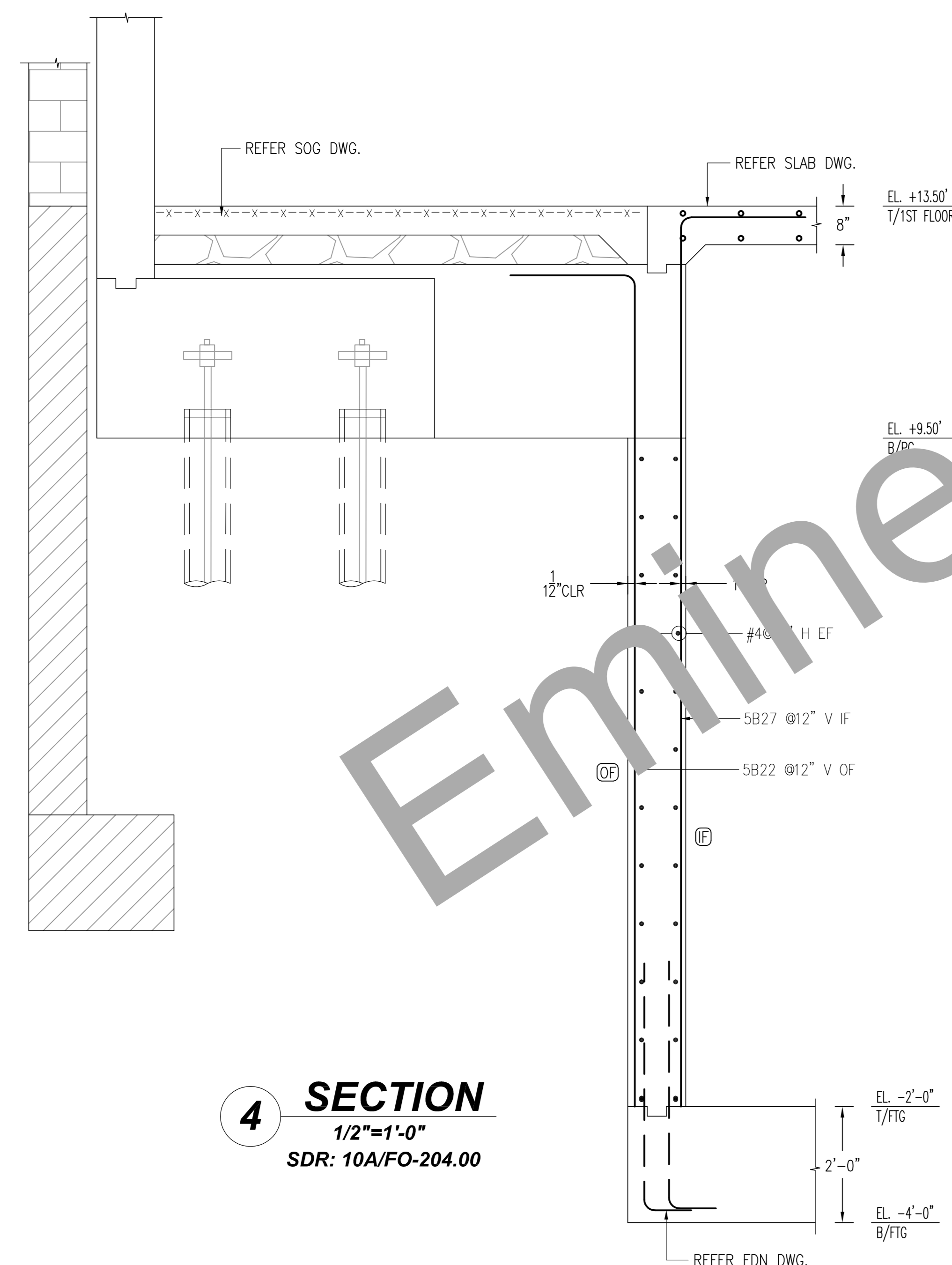
2 SECTION
1/2"=1'-0"
SDR: 13/FO-204.00



3 SECTION
1/2"=1'-0"
SDR: 6/FO-203.00



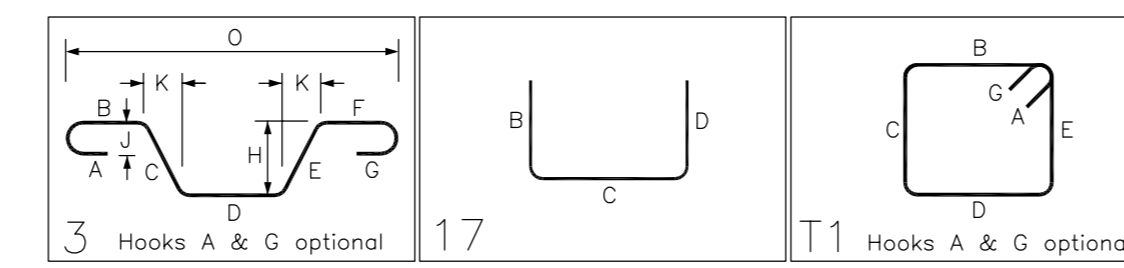
DETAIL-A
1/2"=1'-0"
SDR: 16/FO-204.00



4 SECTION
1/2"=1'-0"
SDR: 10A/FO-204.00

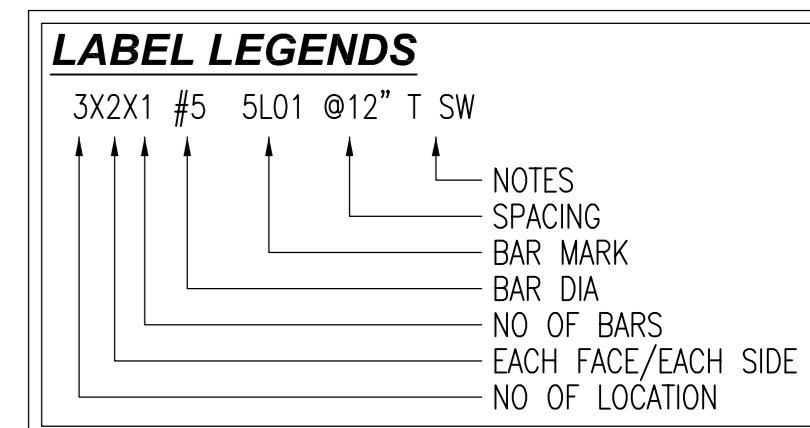
Release Number: R21

Bar Mark	Dia	Size	Total Length	Type	X	Y	Z	T	V	W	U	S	R	Q	P
10B63	7	#10	7'-5"	17			3'-3"	4'-5"							
10B64	7	#10	15'-3 1/2"	3			6'-9 1/2"	4'-5"							
6B65	3	#6	12'-8"	11			0'-8"	3'-5"	2'-3"	3'-5"	2'-3"			0'-8"	3'-3 1/2"
7B66	10	#7	12'-10 1/2"	11			0'-9"	3'-5"	2'-3"	3'-5"	2'-3"			0'-9"	



FOR APPROVAL

- NOTES:**
- TOP OF WALL EL. REFER ELEVATION
 - BOTTOM OF WALL EL. REFER ELEVATION
 - TOP OF SLAB EL. REFER ELEVATION
 - COVER DETAILS:
FOR WALL : IF = 1 1/2", OF = 2"
FOR COLUMN : TIES = 1 1/2"
4. STOCK LENGTH USED IS 30'-0"



REFERENCE DRAWINGS

FOR DETAIL OF FOUNDATION WALL KEYPLAN REFER DRAWING #R15
 FOR REBAR DETAIL OF FOUNDATION WALL (EL-A-C) REFER DRAWING #R16
 FOR REBAR DETAIL OF FOUNDATION WALL (EL-D-H) REFER DRAWING #R17
 FOR REBAR DETAIL OF FOUNDATION WALL (EL-J) REFER DRAWING #R18
 FOR REBAR DETAIL OF FOUNDATION WALL (EL-K) REFER DRAWING #R19
 FOR REBAR DETAIL OF FOUNDATION WALL (EL-L-N) REFER DRAWING #R20